



MODEL FRS130AC - Fridge capacity 112Lt
 Fridge (0° C +15° C) with freezer compartment (-12°C) and internal compressor.
 The internal walls are in 304BA (polished) stainless steel, while the external front and door are in 316SB (brushed) stainless steel.
 The refrigeration unit is available at 12 / 24Vdc, 110Vac 60Hz or at 220Vac 50Hz with forced air cooling.
 Our refrigerators are made of high quality stainless steel and are also suitable for outdoor use, provided they are protected from the elements with appropriate covers.
 Various options are also available.

STAR	TEMPERATURE	FROZEN FOOD STORAGE	FRESH FOOD STORAGE	MAXIMUM STORAGE
★	-6°	YES	NO	STORAGE 1 WEEK
★★	-12°	YES	NO	STORAGE 1 MONTH
★★★	-18°	YES	NO	STORAGE 1 YEAR
★****	-18°	YES	YES	STORAGE 1 YEAR

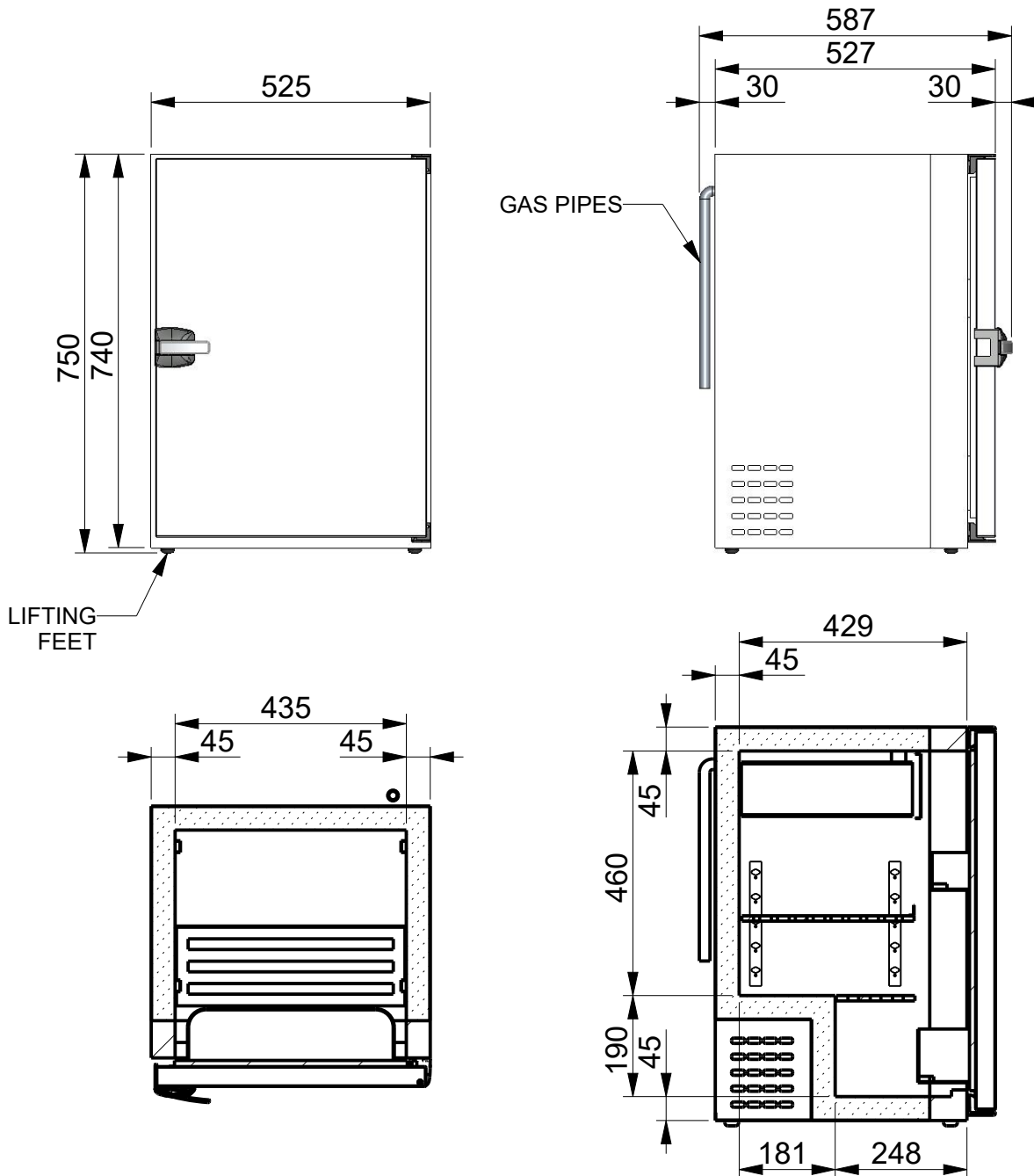
CODICE PRODOTTO / PRODUCT CODE	REVISIONE / REVISION:
<h1>mod. FRS130AC</h1>	R04
	DATA / DATE:
	01/01/2023



Via Confin 64, 30020 Torre di Mosto (Venezia) Italia - Tel: +39 0421.325214
 E-Mail: info@frigonautica.it - P.IVA: 03687150270
 www.frigonautica.it

PROPRIETA' DI FRIGONAUTICA srl
 Senza autorizzazione scritta della stessa il presente disegno non potrà essere utilizzato per la costruzione dell'oggetto rappresentato, nè venire comunicato a terzi o riprodotto anche parzialmente. La società proprietaria tutela i propri diritti a rigor di legge.
 ALL PROPRIETARY RIGHT RESERVED BY FRIGONAUTICA srl
 This drawing shall not be reproduced also partially or in any way utilized for the manufacture of the component or unit herein illustrated and must not be released to other parties without written consent. Any infringement will be legally pursued.

SPECIFICATIONS

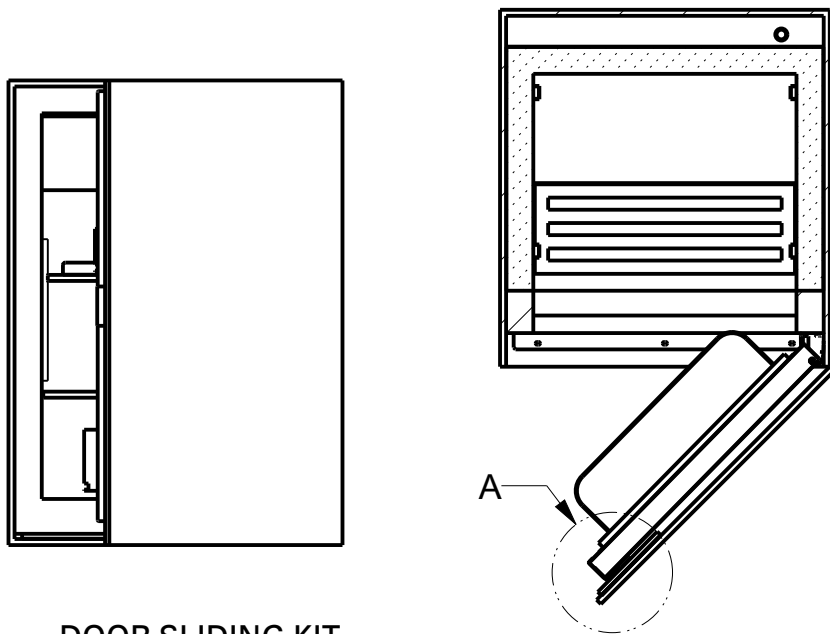


FEATURES CABINET FRS130AC

- W525xD587xH740 [mm] Fridge capacity 112 Lt;
 - Range of temperature from 0°C to +15°C;
 - Ice compartment -12°C;
 - Ice compartment dimension W360xD320xH100 [mm];
 - External plasticized galvanized metal sheet;
 - Internal walls in 304BA stainless steel (Polished);
 - Front part and door in 316SB stainless steel (Brushed);
 - Predisposition for door opening on both the right and left;
 - Polyurethane foam insulation thickness 45mm;
 - Weight 33Kg (without compressor);
 - Condensate drainage connected by ¼ coupling;
- Optional: Internal condensate collection tray installed above the compressor;
- N. 01 fixed stainless steel shelf;
 - N. 01 stainless steel shelves adjustable in height;
 - N. 02 stainless steel bottle holders;
 - Static evaporator in copper tube with ice compartment;
 - Gas expansion by capillary pipe;
 - Mechanical thermostat for temperature control;
 - Internal compressor forced air cooled;
 - Internal led light with door switch;
 - In case of external use, do not expose the refrigerator directly to atmospheric agents, but protect it adequately with special covers.

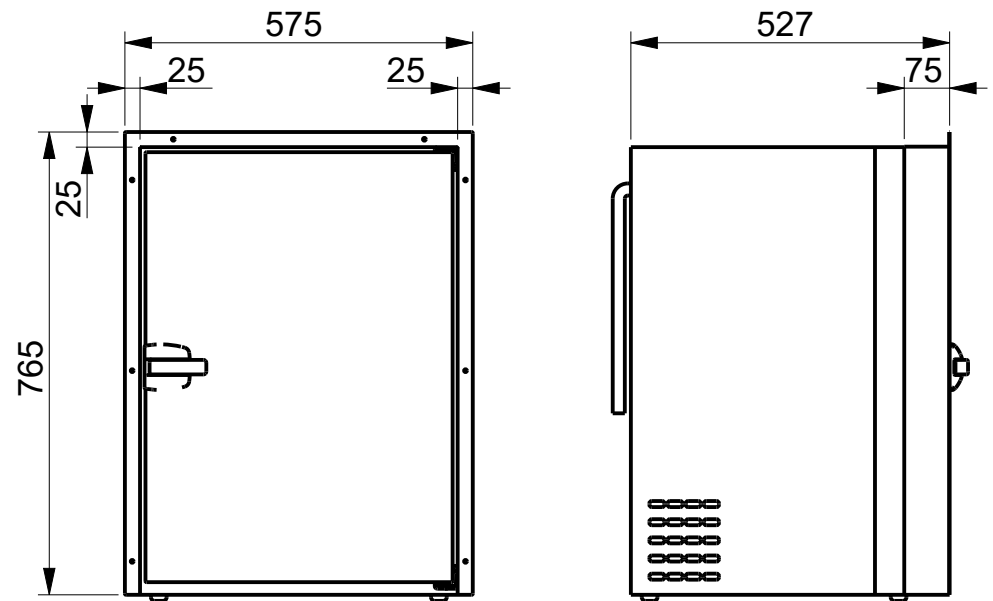
CODICE PRODOTTO / PRODUCT CODE	REVISIONE / REVISION:
<h1>mod. FRS130AC</h1>	R04
	DATA / DATE:
	01/01/2023
 <p>Frigonautica <i>Il freddo a misura di mare</i></p> <p>Via Confin 64, 30020 Torre di Mosto (Venezia) Italia - Tel: +39 0421.325214 E-Mail: info@frigonautica.it - P.IVA: 03687150270 www.frigonautica.it</p>	
<small> PROPRIETA' DI FRIGONAUTICA srl Senza autorizzazione scritta della stessa il presente disegno non potrà essere utilizzato per la costruzione dell'oggetto rappresentato, nè venire comunicato a terzi o riprodotto anche parzialmente. La società proprietaria tutela i propri diritti a rigor di legge. ALL PROPRIETARY RIGHT RESERVED BY FRIGONAUTICA srl This drawing shall not be reproduced also partially or in any way utilized for the manufacture of the component or unit herein illustrated and must not be released to other parties without written consent. Any infringement will be legally pursued. </small>	

ACCESSORIES - OPTIONAL



- DOOR SLIDING KIT

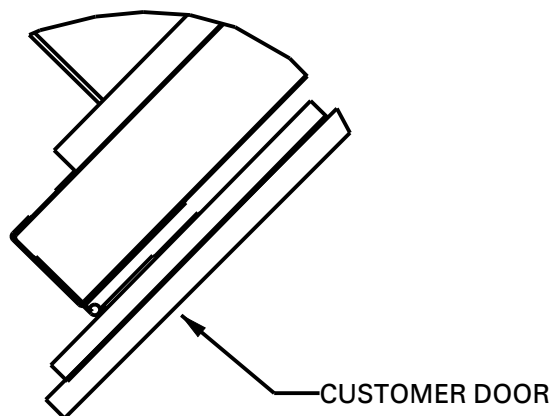
Sliding mechanism which replaces the handle in the case of a fully built-in installation with an exterior cabinet door.



- FIXING KIT

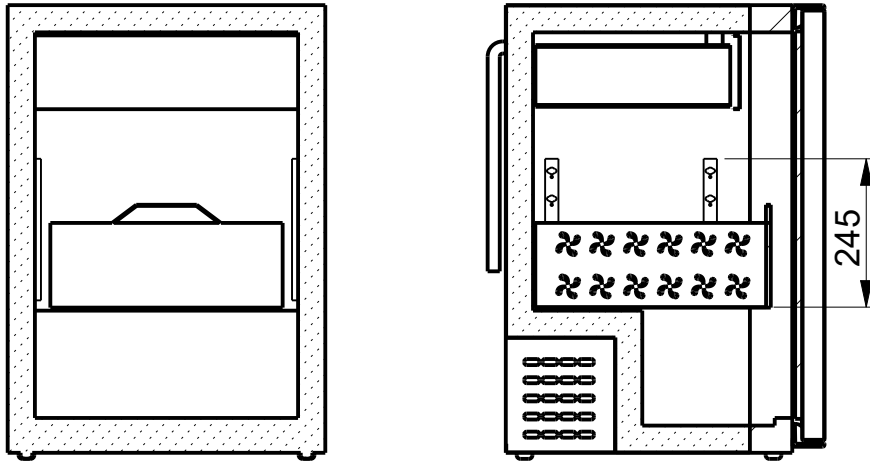
Special stainless steel frame which allows to easily fix the cupboard to the furniture.

VIEW - A-



CODICE PRODOTTO / PRODUCT CODE	REVISIONE / REVISION:
mod. FRS130AC	R04
	DATA / DATE:
	01/01/2023
 Frigonautica <i>Il freddo a misura di mare</i>	
Via Confin 64, 30020 Torre di Mosto (Venezia) Italia - Tel: +39 0421.325214 E-Mail: info@frigonautica.it - P.IVA: 03687150270 www.frigonautica.it	
<small> PROPRIETA' DI FRIGONAUTICA srl Senza autorizzazione scritta della stessa il presente disegno non potrà essere utilizzato per la costruzione dell'oggetto rappresentato, nè venire comunicato a terzi o riprodotto anche parzialmente. La società proprietaria tutela i propri diritti a rigor di legge. ALL PROPRIETARY RIGHT RESERVED BY FRIGONAUTICA srl This drawing shall not be reproduced also partially or in any way utilized for the manufacture of the component or unit herein illustrated and must not be released to other parties without written consent. Any infringement will be legally pursued. </small>	

ACCESSORIES - OPTIONAL



- SLIDING DRAWERS

Special drawers complete with racks and locking device

No. Max drawers: 01

Net using space drawers (from bottom):

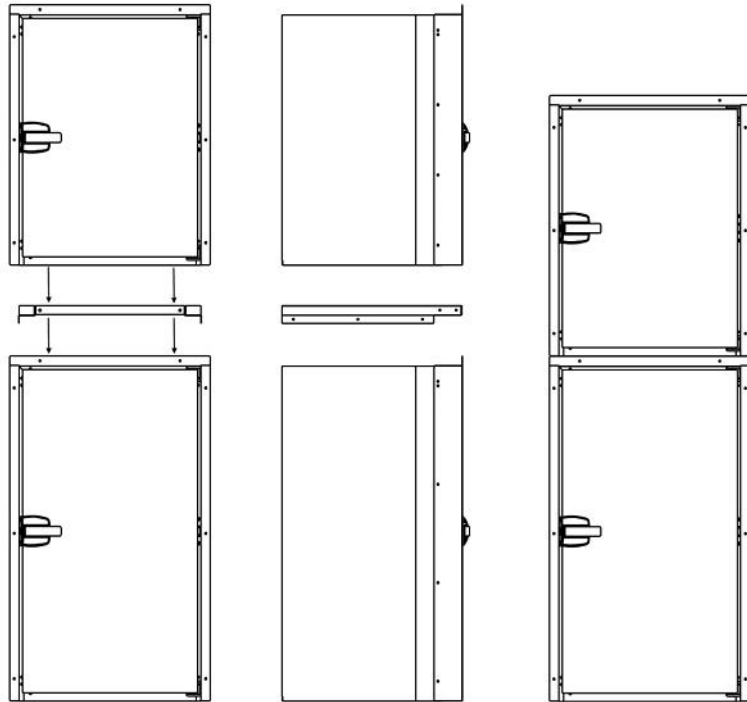
1 drawer W380 x D390 x H245 [mm]

ATTENTION:

In order to pull out the drawers, is necessary that the door is opened at least 140°

CODICE PRODOTTO / PRODUCT CODE	REVISIONE / REVISION:
mod. FRS130AC	R04
	DATA / DATE:
	01/01/2023
 Frigonautica <i>Il freddo a misura di mare</i>	
Via Confin 64, 30020 Torre di Mosto (Venezia) Italia - Tel: +39 0421.325214 E-Mail: info@frignonautica.it - P.IVA: 03687150270 www.frigonautica.it	
<small>PROPRIETA' DI FRIGONAUTICA srl Senza autorizzazione scritta della stessa il presente disegno non potrà essere utilizzato per la costruzione dell'oggetto rappresentato, nè venire comunicato a terzi o riprodotto anche parzialmente. La società proprietaria tutela i propri diritti a rigor di legge. ALL PROPRIETARY RIGHT RESERVED BY FRIGONAUTICA srl This drawing shall not be reproduced also partially or in any way utilized for the manufacture of the component or unit herein illustrated and must not be released to other parties without written consent. Any infringement will be legally pursued.</small>	

ACCESSORIES - OPTIONAL



- OVERLAP KIT

Special overlapping kit in steel which allows you to fix and overlap two Frigonautica models with the same width.

The possible combinations are listed in the table below or on the website:

[LINK FRIGONAUTICA WEBSITE](#)

	42	50	60	80	90	115	130	160	FC0	FC1	FC2	FC4	CC1
42													
50													
60													
80													
90													
115													
130					X		X		X	X	X	X	X
160													
FC0													
FC1													
FC2													
FC4													
CC1													

- SWITCHING POWER SUPPLY
Compact and powerful switching power supply.
Dimension: W120 x D270 x H50[mm] - 1,1Kg

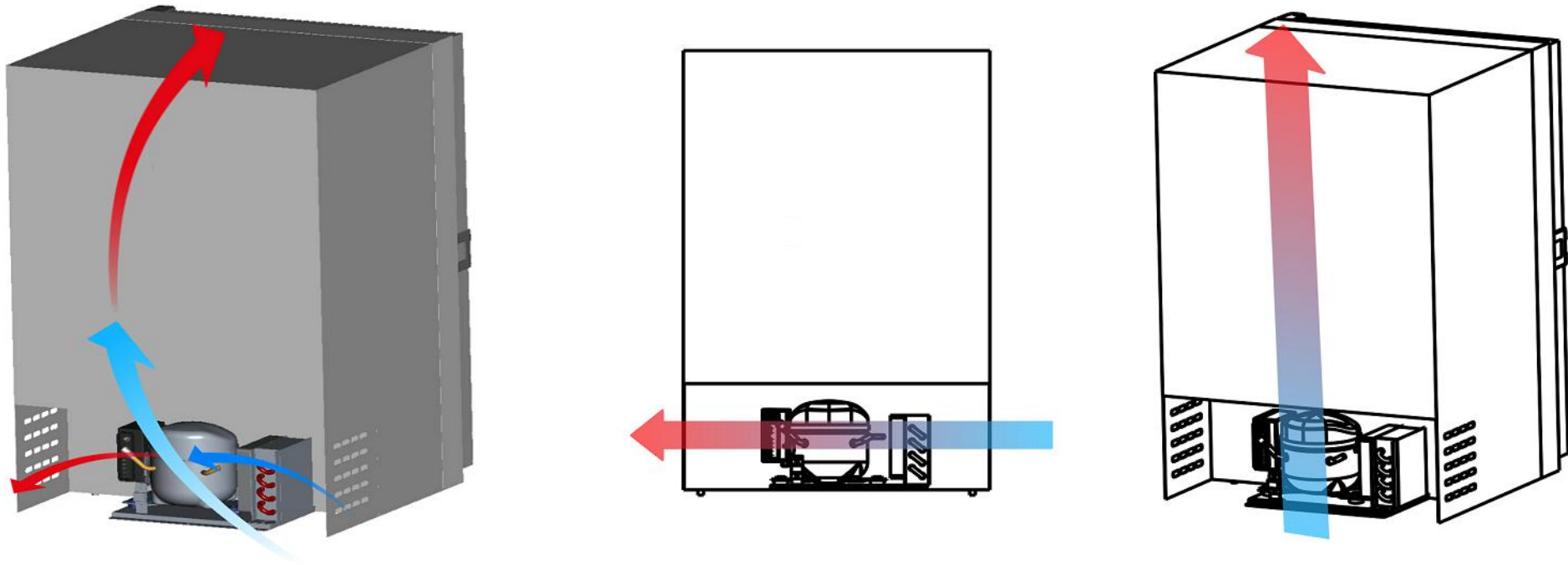


Model	Input	Power input	Output	
RA15-110V 12Vdc	110Vac	168W	12Vdc	14A
RA15-110V 24Vdc	110Vac	168W	24Vdc	7A
RA15-220V 12Vdc	220Vac	168W	12Vdc	14A
RA15-220V 24Vdc	220Vac	168W	24Vdc	7A

CODICE PRODOTTO / PRODUCT CODE		REVISIONE / REVISION:
<h1>mod. FRS130AC</h1>		R04
		DATA / DATE:
		01/01/2023
 Frigonautica <i>Il freddo a misura di mare</i>		
Via Confin 64, 30020 Torre di Mosto (Venezia) Italia - Tel: +39 0421.325214 E-Mail: info@frigonautica.it - P.IVA: 03687150270 www.frigonautica.it		
<small> PROPRIETA' DI FRIGONAUTICA srl Senza autorizzazione scritta della stessa il presente disegno non potrà essere utilizzato per la costruzione dell'oggetto rappresentato, nè venire comunicato a terzi o riprodotto anche parzialmente. La società proprietaria tutela i propri diritti a rigor di legge. ALL PROPRIETY RIGHT RESERVED BY FRIGONAUTICA srl This drawing shall not be reproduced also partially or in any way utilized for the manufacture of the component or unit herein illustrated and must not be released to other parties without written consent. Any infringement will be legally pursued. </small>		

REFRIGERATION UNITS - 12/24Vdc - 110Vac-60Hz - 240Vac 50/60Hz

- COOLED BY FORCED AIR



EV - FORCED AIR COOLED COMPRESSOR

The series of refrigerators or freezers with compressor integrated in the cabinet only use the forced air cooled compressor.

The location of the cabinet must allow for adequate air passage. It is essential to provide good ventilation for the refrigeration unit. Correct operation of the system is guaranteed if there is at least 100 m³/h of air flow to the compressor. We recommend an air opening of at least 400 cm² for the intake and at least 400 cm² for the hot air outlet.

CODICE PRODOTTO / PRODUCT CODE	REVISIONE / REVISION:
mod. FRS130AC	R04
	DATA / DATE:
	01/01/2023
 <i>Il freddo a misura di mare</i>	
Via Confin 64, 30020 Torre di Mosto (Venezia) Italia - Tel: +39 0421.325214 E-Mail: info@frignonautica.it - P.IVA: 03687150270 www.frigonautica.it	
<small>PROPRIETA' DI FRIGNAUTICA srl Senza autorizzazione scritta della stessa il presente disegno non potrà essere utilizzato per la costruzione dell'oggetto rappresentato, nè venire comunicato a terzi o riprodotto anche parzialmente. La società proprietaria tutela i propri diritti a rigor di legge. ALL PROPRIETARY RIGHT RESERVED BY FRIGNAUTICA srl This drawing shall not be reproduced also partially or in any way utilized for the manufacture of the component or unit herein illustrated and must not be released to other parties without written consent. Any infringement will be legally pursued.</small>	